

Demonstration of Diagnosis technologies applied for conditions of deteriorated sewage treatment utilities using vibration data sensing and big data analysis

Demonstrated by

Consortium between Water Agency INC., NEC Corporation, Asahi Kasei Engineering Corporation, Japan Sewage Works Agency, Moriya City and Hidaka City

Study Site

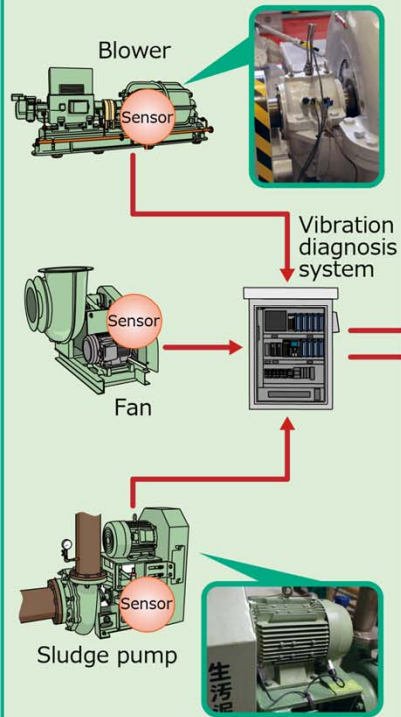
Moriya City WWTP · Hidaka City WWTP

Abstract

To determine diagnostic criteria for rotary machine by analysis of various rotary machine vibration signal with sequential auto measuring sensor. To predict abnormality by normal / abnormal model comparison with Big Data Analysis

Scope and Goal of Our Experimental Study

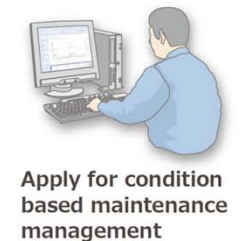
Vibration data sensing



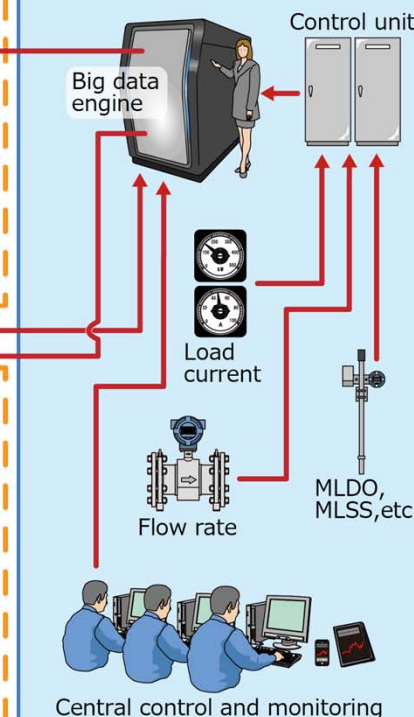
Apply for stock management



Online condition monitoring



Big data analysis



Dot line indicates the scope of our study

○Innovations and merits of proposed technology

1. Study detail

- ◆ Demonstration of adopting deterioration / abnormality predicting technology using Vibration Sensing and Big Data Analysis

2. Merits

- ◆ Stable WWTP operation by prediction of sudden rotary machine failure
- ◆ Maintenance cost reduction by appropriate maintenance plan with abnormality predicting

3. Innovations

- ◆ Auto diagnosis of rotary machine failure using Vibration Sensing
- ◆ Abnormality predicting of WWTP using Big Data Analysis